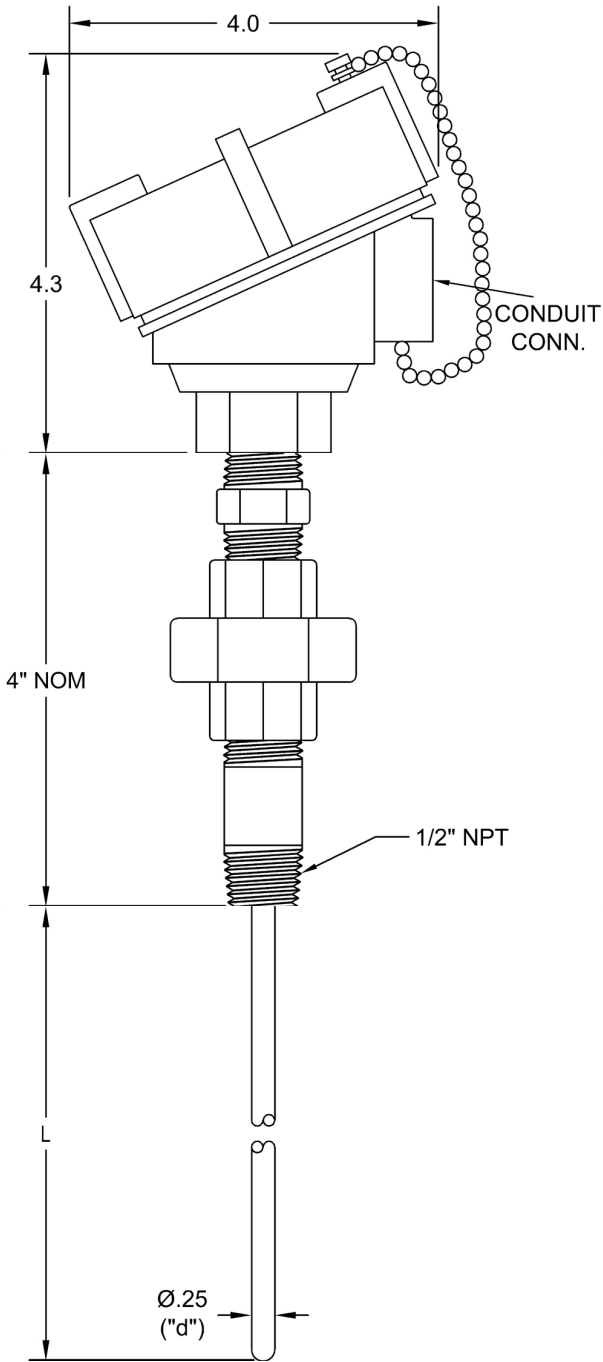


Reotemp RTD Assembly



Part#:	E-4T4-PX2257.5X
Description:	RTD Assembly, with Explosion Proof Aluminum (FM, FMC, CSA) Head, 4" nom spring loaded nipple-union-nipple, 1/2" NPT, 3-wire Single (Standard), Ext temp RTD (Pt/385/ Class B (Standard), 100 ohm), 1/4" dia. X 7.5 in. long, 316SS stem

Head Data:	
<i>Description:</i>	Explosion Proof Aluminum (FM, FMC, CSA)
<i>Material:</i>	Cast Aluminum
<i>Color:</i>	Gray
<i>Conduit Conn. "P":</i>	3/4"NPT Conduit
<i>NEMA/IP rating:</i>	Nema 4X/IP68
<i>Hazardous Area Approval:</i>	Class I, Div 1, Grps B,C,D Class II, Div 1, Grps E,F,G
<i>By:</i>	FM, FMC
In- Head:	Ceramic Terminal Block
<i>Power In:</i>	
<i>Signal Out:</i>	
<i>Protocol:</i>	
<i>Approvals:</i>	
<i>Note:</i>	

Process Connection:	4" nom spring loaded nipple-union-nipple, 1/2" NPT (Thermowell Required. Stem retracts nominal 1/2" max in well.)
----------------------------	-------------------------------------------------------------------------------------------------------------------

Stem Data:	
<i>Stem Length "L":</i>	7.5 in.
<i>Stem "D" (in.):</i>	1/4"
<i>Stem Jacket Material:</i>	316SS
<i>Min. Recommended Immersion (without thermowell):</i>	2.5"

Sensor Data:	
<i>Sensor:</i>	RTD
<i>Resistance @ 0°C:</i>	100 ohm
<i>Tolerance Class (IEC 60751):</i>	B
<i># Sensors:</i>	Single
<i>Temperature Range:</i>	Extended Range: -328F to 1100F (-200C to 593C)

Revision Status:	Data generated on: 9/19/2022
<i>Latest Revision:</i>	x3
<i>Revision Date:</i>	12/1/2015
<i>Description:</i>	Stm length

*Revision date applies to all possible data: Individual drawings may not be affected. To obtain current revision, re-generate drawing at www.reotemp.com

Dimensions are in inches.

Consult factory for critical dimensions.	Reotemp Instrument Corporation 10656 Roselle Street San Diego, CA 92121 USA Phone: (858) 784-0710 Fax: (858) 784-0720	DRAWN BY: JR SIZE: B CAGE CODE: 24793
© 2021 Reotemp Instrument Corp.	REOTEMP	SCALE: NTS SHEET: 1 OF 1
THIS DRAWING AND SPECIFICATIONS ARE THE PROPERTY OF REOTEMP INSTRUMENT CORP., AND ARE ISSUED IN STRICT CONFIDENCE AND SHALL NOT BE REPRODUCED, COPIED OR USED AS THE BASIS FOR MANUFACTURE OR SALE OF ITEMS DEPICTED HEREIN WITHOUT WRITTEN PERMISSION FROM REOTEMP INSTRUMENT CORP.		

Made in U.S.A.